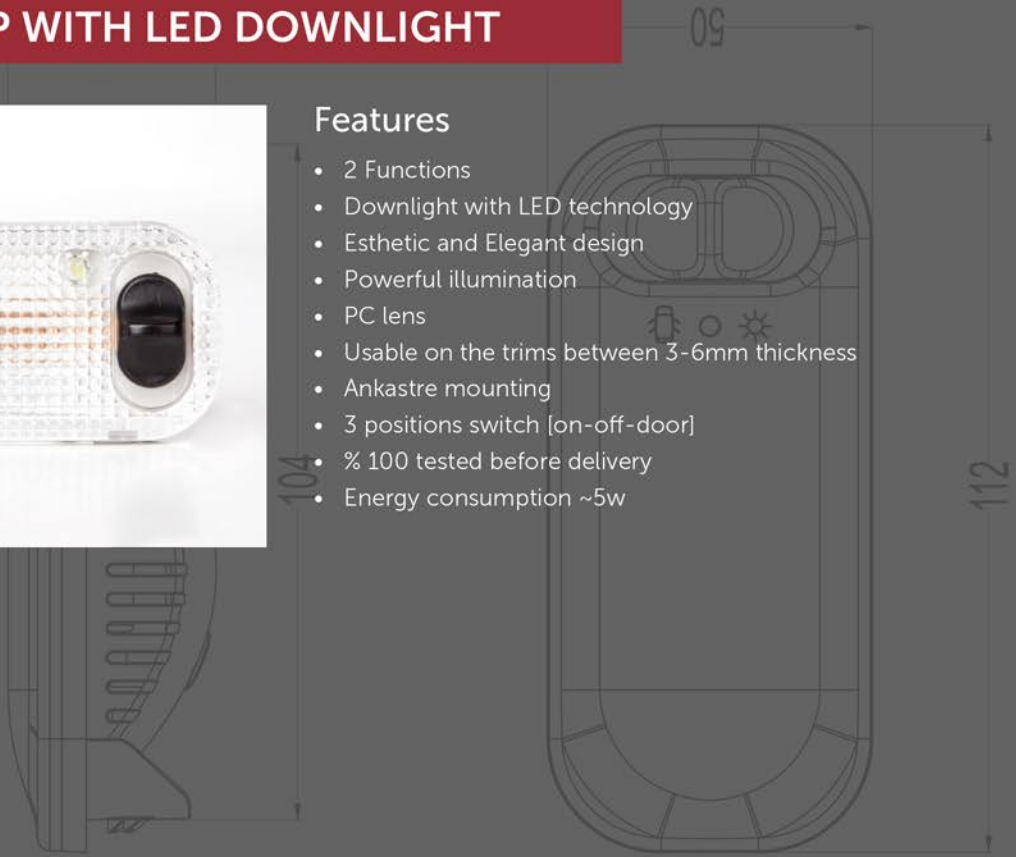


INTERIOR LAMP WITH LED DOWNLIGHT

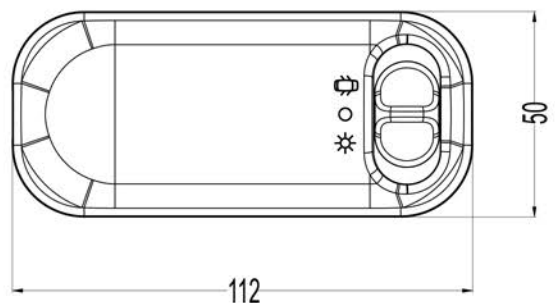
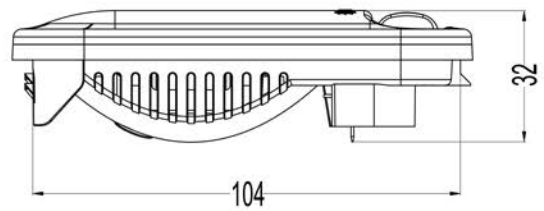


Features

- 2 Functions
- Downlight with LED technology
- Esthetic and Elegant design
- Powerful illumination
- PC lens
- Usable on the trims between 3-6mm thickness
- Ankastre mounting
- 3 positions switch [on-off-door]
- % 100 tested before delivery
- Energy consumption ~5w



PARTS	PARTS NAME	PARTS NO
	INTERIOR LAMP WITH LED DOWNLIGHT WHITE LENS	0001.3920.XXX
	INTERIOR LAMP WITH LED DOWNLIGHT SMOKED LENS	0001.3920.XXX



BULB		LENS	
12 V 5 W	0001.2058.002	WHITE	0001.0114.001
24 V 5 W	0001.2081.000	SMOKED	0001.0114.003